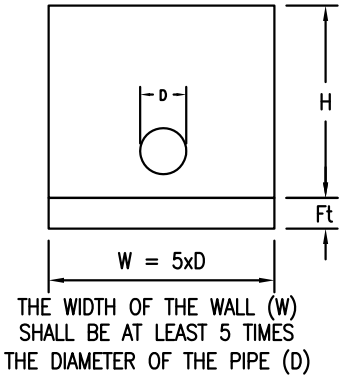
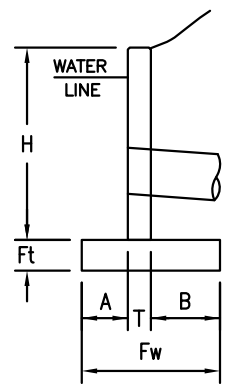


TYPICAL SECTION

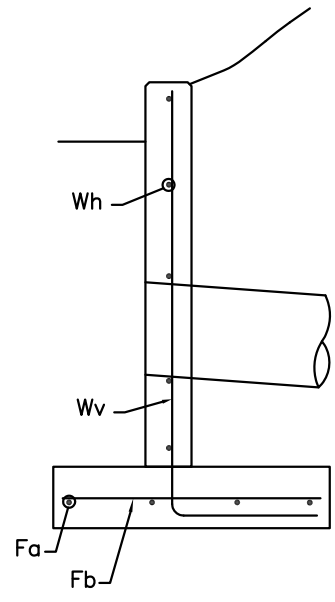


THE WIDTH OF THE WALL (W) SHALL BE AT LEAST 5 TIMES THE DIAMETER OF THE PIPE (D)

FRONT VIEW



SIDE VIEW



REINFORCING DETAIL

H	T	A	B	Fw	Ft	Fa	Fb	Wv *	Wh
2'	6"	6"	6"	18"	8"	(2) #4 BARS	#4 @ 16"	#4 @ 16"	#4 @ 12"
3'	6"	6"	9"	21"	8"	(3) #4 BARS	#4 @ 12"	#4 @ 12"	#4 @ 12"
4'	6"	9"	12"	27"	8"	(3) #4 BARS	#5 @ 16"	#5 @ 16"	#4 @ 12"
6'	6"	12"	18"	36"	8"	(4) #4 BARS	#5 @ 12"	#5 @ 12"	#4 @ 12"

* Wv BARS TO BE BENT BARS:
 VERTICAL LEG LENGTH = H
 HORIZONTAL LEG LENGTH = B

GENERAL NOTES:

1. THIS SKETCH HAS BEEN PREPARED TO ILLUSTRATE TYPICAL HEADGATE INSTALLATIONS FOR PIPES FROM 6" THROUGH 12" IN DIAMETER AND FOR HEADWALL HEIGHTS UP TO 6'. PROPOSED HEADGATES OUTSIDE OF THESE PARAMETERS WILL REQUIRE APPROVAL.
2. THESE SKETCHES DO NOT REPRESENT AN ENGINEERED DESIGN, RATHER THEY ILLUSTRATE MINIMUM REQUIREMENTS ESTABLISHED BY THE MANAGEMENT OF THE DITCH
3. CONCRETE STRENGTH TO BE 3000 PSI AT 28 DAYS
4. REBAR TO BE GRADE 60
5. REBAR TO BE IN THE CENTER THIRD OF THE WALL/FLOOR UNLESS NOTED OTHERWISE.

2016-03-24

**FARMER'S DITCH
 TYPICAL HEADWALL &
 HEADGATE DETAILS
 SAN JUAN COUNTY, NM**